



SOT-363 Plastic-Encapsulate Diodes

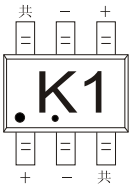
BAV99S

HIGH-SPEED SWITCHING DIODE

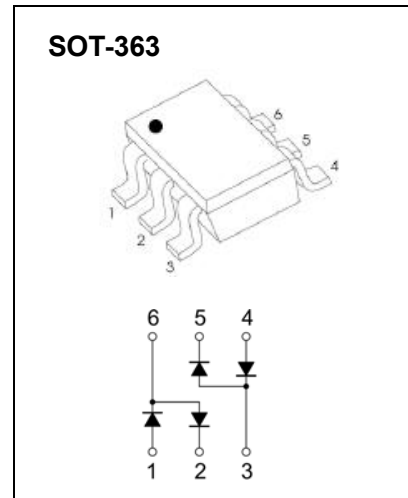
FEATURES

- Small Plastic Package
- High Switching Speed
- Low Capacitance
- Two Electrically Isolated Series Configuration Arrays

MARKING: K1



Solid dot = Pin1 indicate.
Solid dot = Green molding compound device.



MAXIMUM RATINGS @ (T_a=25°C unless otherwise noted)

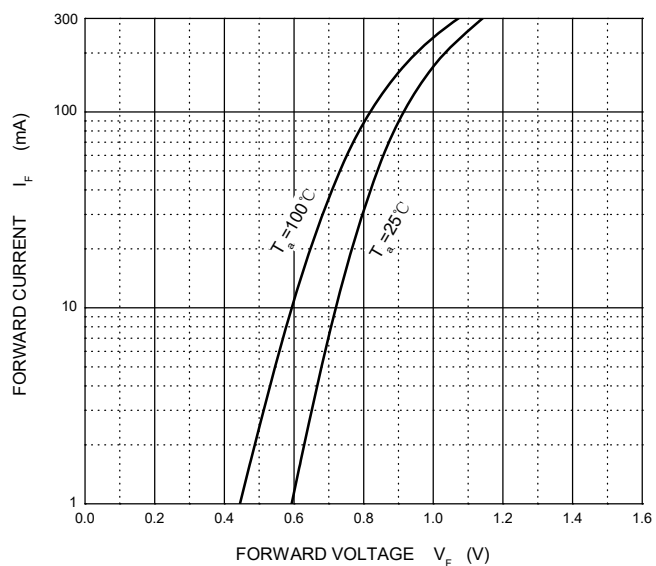
Symbol	Parameter	Limits	Unit
V _{RRM}	Repetitive Peak Reverse Voltage	85	V
V _R	Reverse Voltage	75	V
I _F	Forward Current	150	mA
I _{FRM}	Repetitive Peak Forward Current	450	
I _{FSM}	Non-Repetitive Peak Forward Surge Current @ t=8.3ms	2.5	A
P _D	Power Dissipation	200	mW
R _{θJA}	Thermal Resistance from Junction to Ambient	625	°C/W
T _J , T _{stg}	Operation Junction and Storage Temperature Range	-55~+150	°C

ELECTRICAL CHARACTERISTICS(T_a=25°C unless otherwise specified)

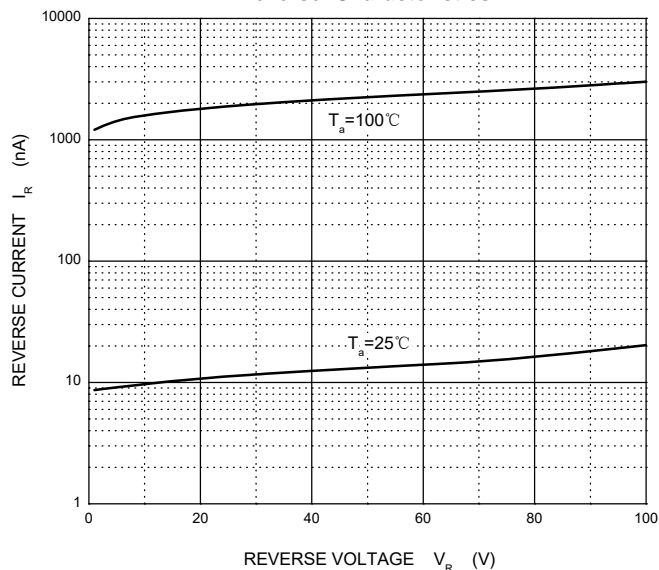
Parameter	Symbol	Test conditions	Min	Typ	Max	Unit
Reverse voltage	V _(BR)	I _R =100μA	75			V
Reverse current	I _R	V _R =75V			1	μA
Forward voltage	V _F	I _F =1mA			0.715	V
		I _F =10mA			0.855	
		I _F =50mA			1	
		I _F =150mA			1.25	
Total capacitance	C _{tot}	V _R =0, f=1MHz			1.5	pF
Reverse recovery time	t _{rr}	I _F = I _R =10mA, I _{rr} =0.1×I _R , R _L =100Ω			6	ns

Typical Characteristics

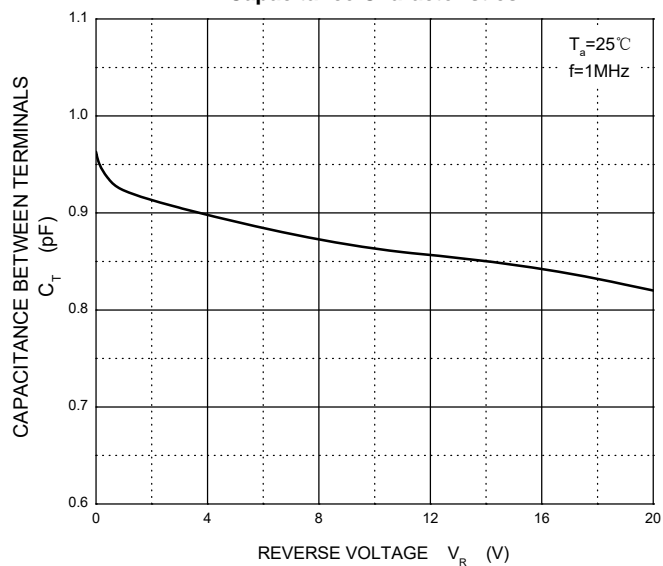
Forward Characteristics



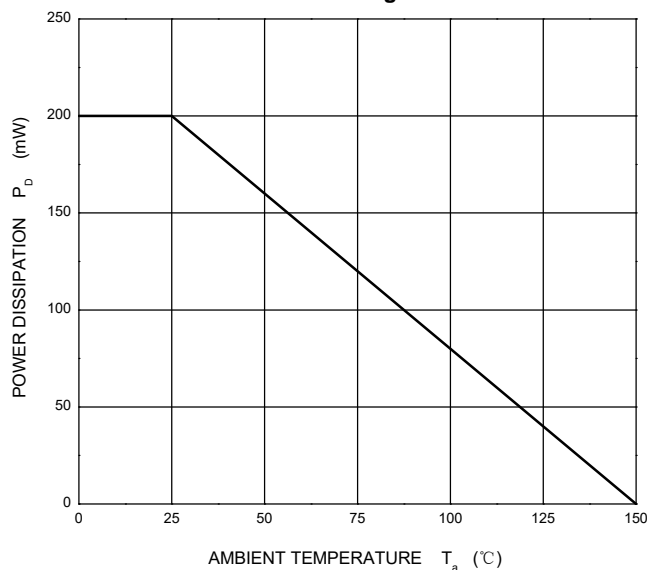
Reverse Characteristics



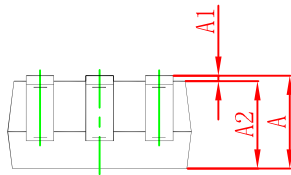
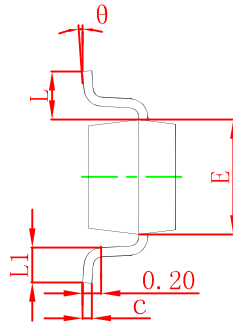
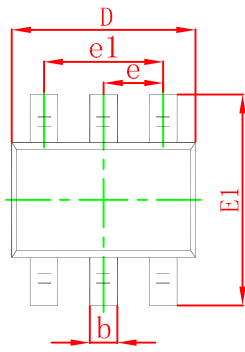
Capacitance Characteristics



Power Derating Curve

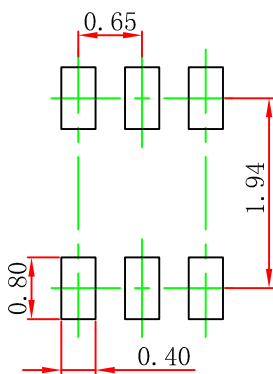


SOT-363 Package Outline Dimensions



Symbol	Dimensions In Millimeters		Dimensions In Inches	
	Min	Max	Min	Max
A	0.900	1.100	0.035	0.043
A1	0.000	0.100	0.000	0.004
A2	0.900	1.000	0.035	0.039
b	0.150	0.350	0.006	0.014
c	0.100	0.150	0.004	0.006
D	2.000	2.200	0.079	0.087
E	1.150	1.350	0.045	0.053
E1	2.150	2.400	0.085	0.094
e	0.650 TYP		0.026 TYP	
e1	1.200	1.400	0.047	0.055
L	0.525 REF		0.021 REF	
L1	0.260	0.460	0.010	0.018
theta	0°	8°	0°	8°

SOT-363 Suggested Pad Layout

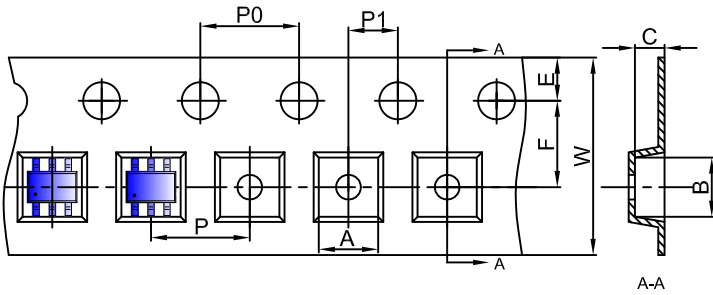


Note:

1. Controlling dimension: in millimeters.
2. General tolerance: $\pm 0.05\text{mm}$.
3. The pad layout is for reference purposes only.

SOT-363 Tape and Reel

SOT-363 Embossed Carrier Tape

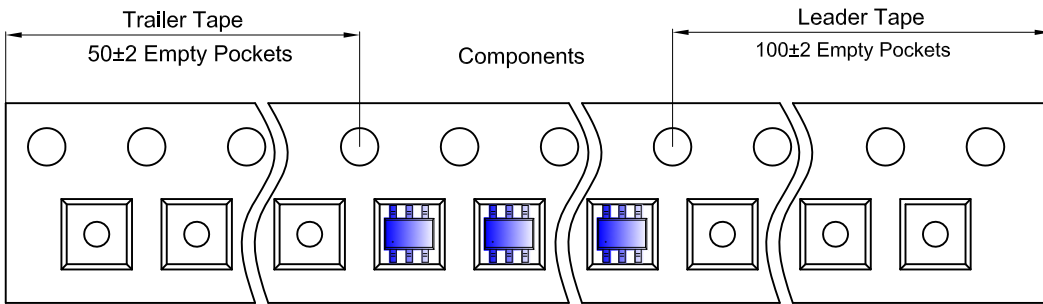


Packaging Description:

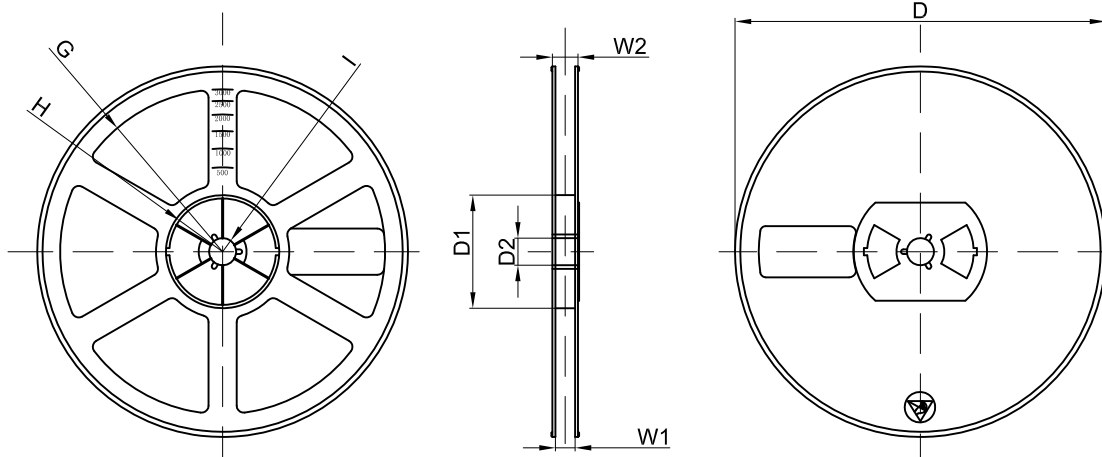
SOT-363 parts are shipped in tape. The carrier tape is made from a dissipative (carbon filled) polycarbonate resin. The cover tape is a multilayer film (Heat Activated Adhesive in nature) primarily composed of polyester film, adhesive layer, sealant, and anti-static sprayed agent. These reeled parts in standard option are shipped with 3,000 units per 7" or 17.8cm diameter reel. The reels are clear in color and is made of polystyrene plastic (anti-static coated).

Dimensions are in millimeter										
Pkg type	A	B	C	d	E	F	P0	P	P1	W
SOT-363	2.25	2.55	1.20	Ø1.50	1.75	3.50	4.00	4.00	2.00	8.00

SOT-363 Tape Leader and Trailer



SOT-363 Reel



Dimensions are in millimeter								
Reel Option	D	D1	D2	G	H	I	W1	W2
7"Dia	Ø178.00	54.40	13.00	R78.00	R25.60	R6.50	9.50	12.30

REEL	Reel Size	Box	Box Size(mm)	Carton	Carton Size(mm)	G.W.(kg)
3000 pcs	7 inch	45,000 pcs	203×203×195	180,000 pcs	438×438×220	