



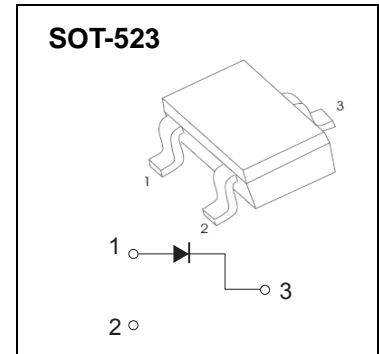
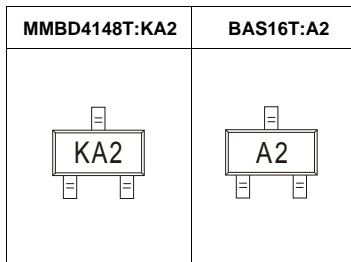
SOT-523 Plastic-Encapsulate Diodes

MMBD4148T/BAS16T SWITCHING DIODE

FEATURES

- Fast Switching Speed
- For General Purpose Switching Applications
- High Conductance

MARKING:



Maximum Ratings and Electrical Characteristics, Single Diode @Ta=25°C

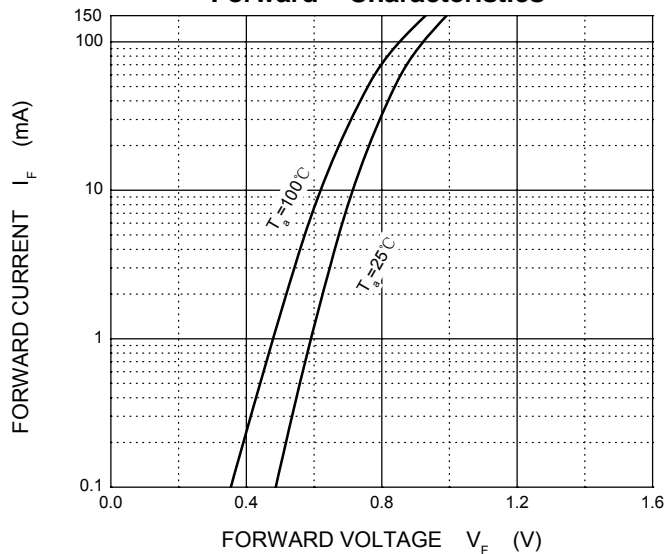
| Parameter | Symbol | Limit | Unit |
|--|-----------------|----------|------|
| Non-Repetitive Peak Reverse Voltage | V_{RM} | 100 | V |
| Peak Repetitive Peak Reverse Voltage | V_{RRM} | 75 | V |
| Working Peak Reverse Voltage | V_{RWM} | | |
| DC Blocking Voltage | V_R | | |
| RMS Reverse Voltage | $V_{R(RMS)}$ | 53 | V |
| Forward Continuous Current | I_{FM} | 300 | mA |
| Average Rectified Output Current | I_O | 150 | mA |
| Non-Repetitive Peak Forward Surge Current @t=8.3ms | I_{FSM} | 2.0 | A |
| Power Dissipation | P_d | 200 | mW |
| Thermal Resistance Junction to Ambient | $R_{\theta JA}$ | 625 | °C/W |
| Operation Junction and Storage Temperature Range | T_J, T_{STG} | -55~+150 | °C |

Electrical Ratings @Ta=25°C

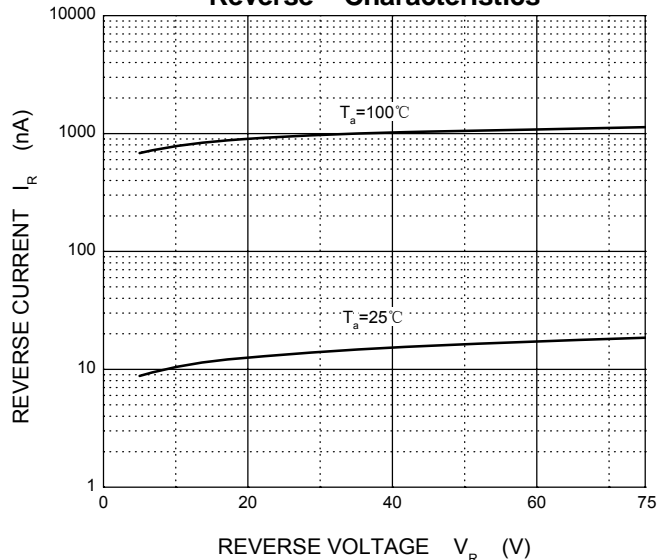
| Parameter | Symbol | Min | Typ | Max | Unit | Conditions |
|-------------------------------|------------|-----|-----|-------|---------|--|
| Reverse breakdown voltage | $V_{(BR)}$ | 75 | | | V | $I_R=1\mu A$ |
| Forward voltage | V_{F1} | | | 0.715 | V | $I_F=1mA$ |
| | V_{F2} | | | 0.855 | V | $I_F=10mA$ |
| | V_{F3} | | | 1.0 | V | $I_F=50mA$ |
| | V_{F4} | | | 1.25 | V | $I_F=150mA$ |
| Reverse current | I_{R1} | | | 1 | μA | $V_R=75V$ |
| | I_{R2} | | | 25 | nA | $V_R=20V$ |
| Capacitance between terminals | C_T | | | 2 | pF | $V_R=0V, f=1MHz$ |
| Reverse recovery time | t_{rr} | | | 4 | ns | $I_F=I_R=10mA$ $I_{rr}=0.1I_R, R_L=100\Omega$ |

Typical Characteristics

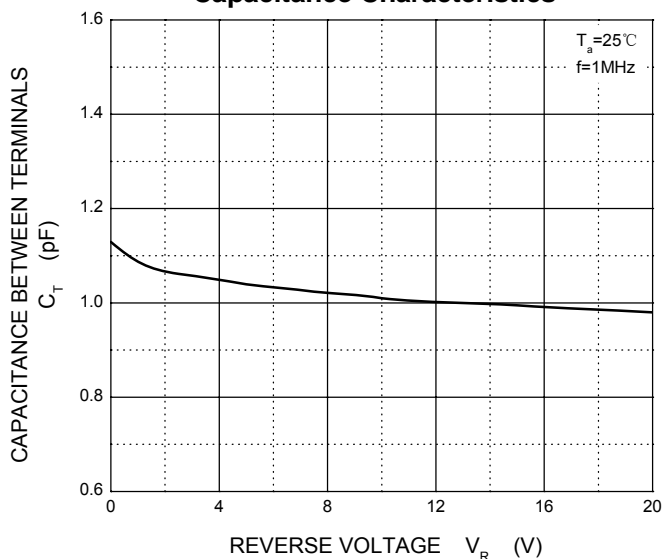
Forward Characteristics



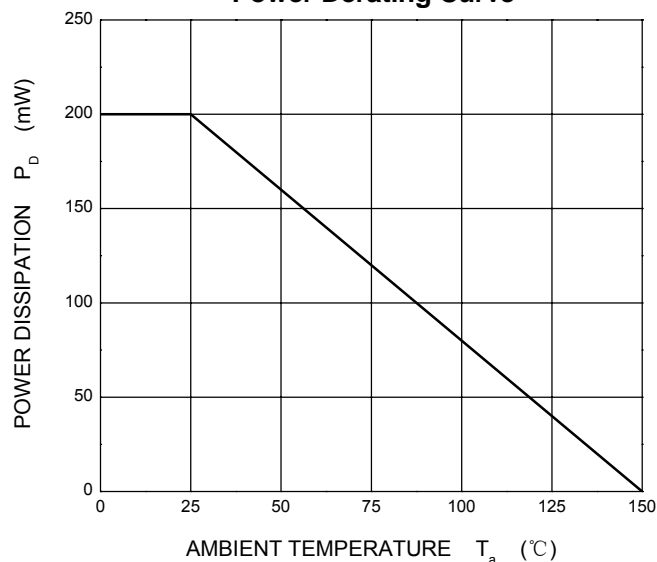
Reverse Characteristics



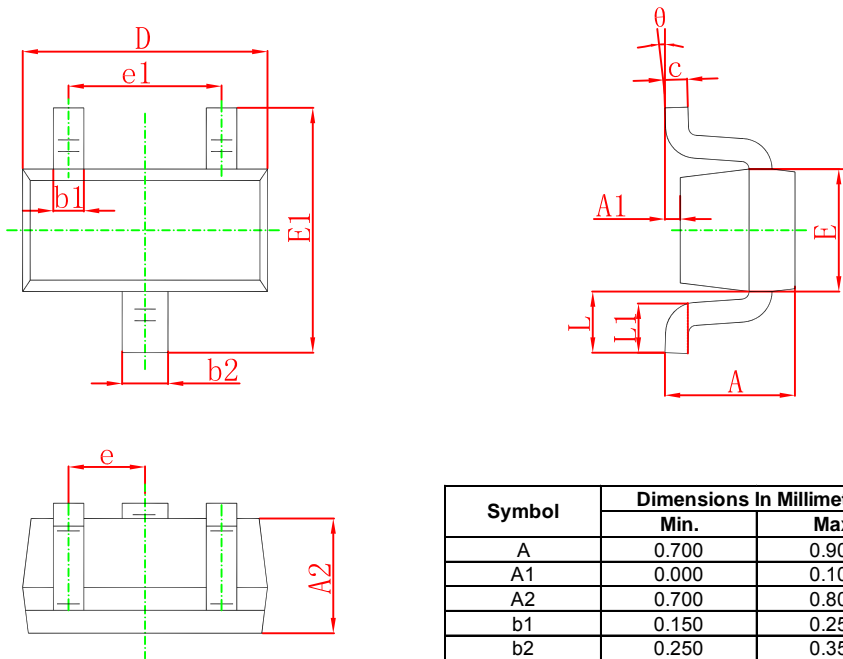
Capacitance Characteristics



Power Derating Curve

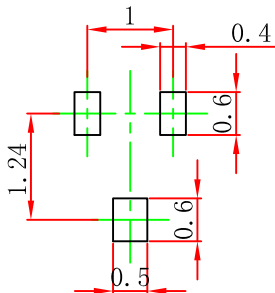


SOT-523 Package Outline Dimensions



| Symbol | Dimensions In Millimeters | | Dimensions In Inches | |
|--------|---------------------------|-------|----------------------|-------|
| | Min. | Max. | Min. | Max. |
| A | 0.700 | 0.900 | 0.028 | 0.035 |
| A1 | 0.000 | 0.100 | 0.000 | 0.004 |
| A2 | 0.700 | 0.800 | 0.028 | 0.031 |
| b1 | 0.150 | 0.250 | 0.006 | 0.010 |
| b2 | 0.250 | 0.350 | 0.010 | 0.014 |
| c | 0.100 | 0.200 | 0.004 | 0.008 |
| D | 1.500 | 1.700 | 0.059 | 0.067 |
| E | 0.700 | 0.900 | 0.028 | 0.035 |
| E1 | 1.450 | 1.750 | 0.057 | 0.069 |
| e | 0.500 TYP. | | 0.020 TYP. | |
| e1 | 0.900 | 1.100 | 0.035 | 0.043 |
| L | 0.400 REF. | | 0.016 REF. | |
| L1 | 0.260 | 0.460 | 0.010 | 0.018 |
| θ | 0° | 8° | 0° | 8° |

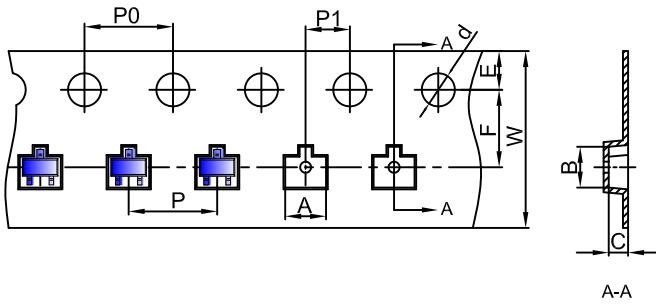
SOT-523 Suggested Pad Layout



- Note:
1. Controlling dimension: in millimeters.
 2. General tolerance: ± 0.05 mm.
 3. The pad layout is for reference purposes only.

SOT-523 Tape and Reel

SOT-523 Embossed Carrier Tape



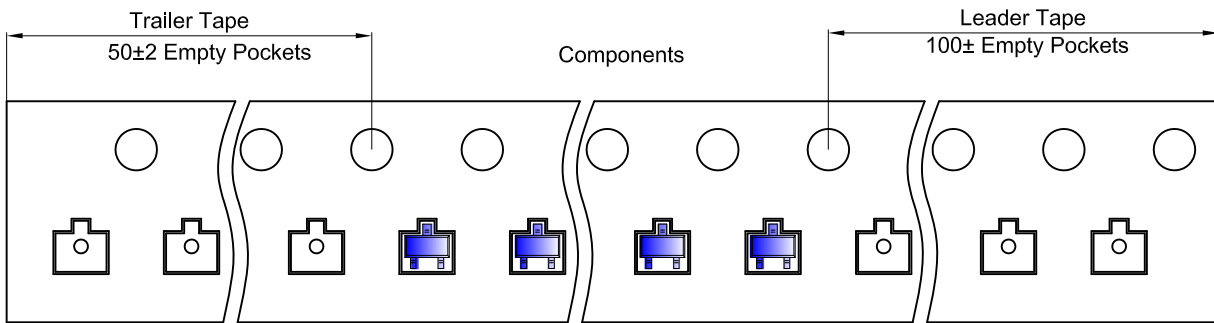
Packaging Description:

SOT-523 parts are shipped in tape. The carrier tape is made from a dissipative (carbon filled) polycarbonate resin. The cover tape is a multilayer film (Heat Activated Adhesive in nature) primarily composed of polyester film, adhesive layer, sealant, and anti-static sprayed agent. These reeled parts in standard option are shipped with 3,000 units per 7" or 17.8cm diameter reel. The reels are clear in color and is made of polystyrene plastic (anti-static coated).

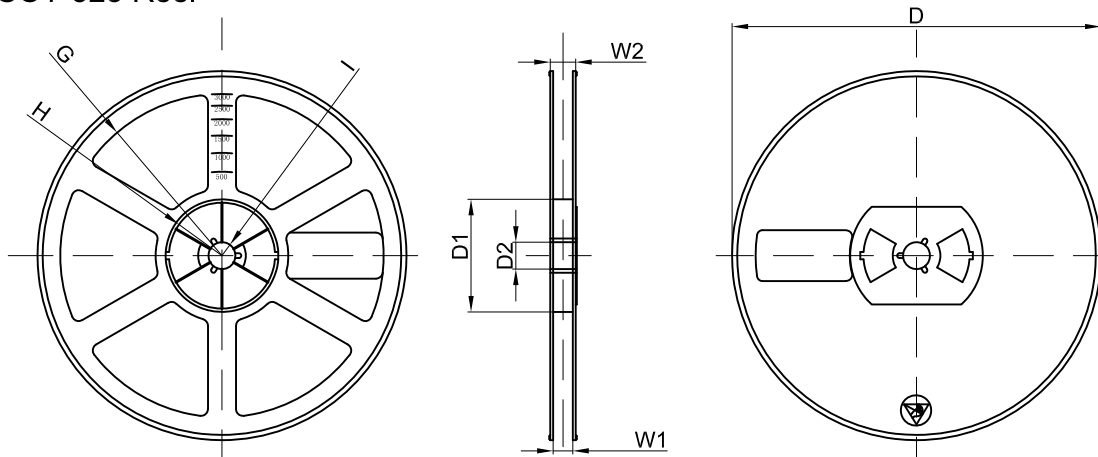
Dimensions are in millimeter

| Pkg type | A | B | C | d | E | F | P0 | P | P1 | W |
|----------|------|------|-------|-------|------|------|------|------|------|------|
| SOT-523 | 1.85 | 1.85 | 0.875 | Ø1.50 | 1.75 | 3.50 | 4.00 | 4.00 | 2.00 | 8.00 |

SOT-523 Tape Leader and Trailer



SOT-523 Reel



Dimensions are in millimeter

| Reel Option | D | D1 | D2 | G | H | I | W1 | W2 |
|-------------|---------|-------|-------|--------|--------|-------|------|-------|
| 7" Dia | Ø178.00 | 54.40 | 13.00 | R78.00 | R25.60 | R6.50 | 9.50 | 12.30 |

| REEL | Reel Size | Box | Box Size(mm) | Carton | Carton Size(mm) | G.W.(kg) |
|----------|-----------|------------|--------------|-------------|-----------------|----------|
| 3000 pcs | 7 inch | 45,000 pcs | 203×203×195 | 180,000 pcs | 438×438×220 | |